

DONJOY looking forward to your visit! Your telecommunications!



东正科技有限公司
DONJOY TECHNOLOGY CO.,LTD.

地址: 温州空港新区港富路25号
总机: 0577-86990888
传真: 0577-86998000

Add: No.25 Gang fu Road, konggang
new District, Longwan Wenzhou, China
Tel: +86-577-86990888
Fax: +86-577-86998000
E-mail: donjoy@cndonjoy.com

www.cndonjoy.com

法律声明:
目录样册版权归东正所有, 如有抄袭, 必将追究其法律责任和经济赔偿。
东正已获得国家版权局书刊号。东正诸多产品技术, 都具有专利保护, 如有抄袭,
必将追究法律责任和经济赔偿。

Legal statement:
Copyright of the catalogue belongs to Donjoy. If there is plagiarism,
it will be investigated for legal responsibility and economic compensation.
Donjoy has been granted publications number by China's National Copyright.
Donjoy products and technology with patent protection,
If there is plagiarism, it will be investigated for legal responsibility
and economic compensation.

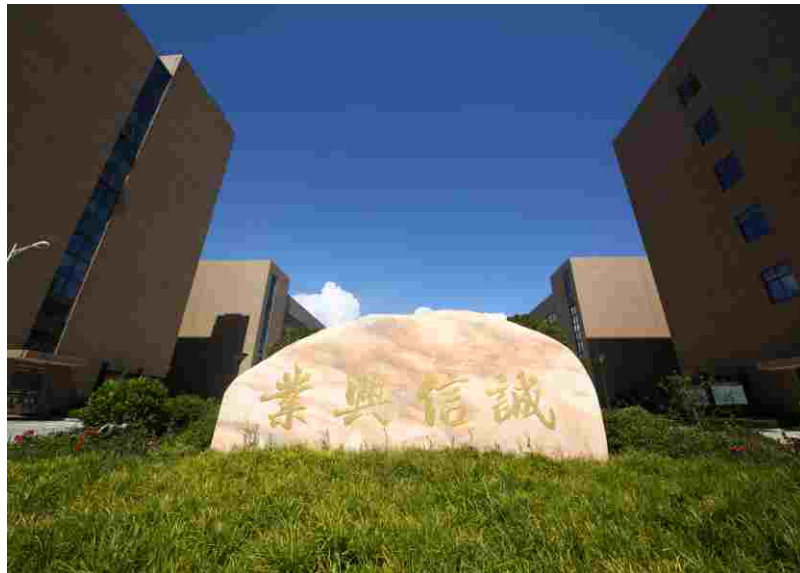
Manhole Series

15 / 人孔 智能制造



国家高新技术企业 专精特新企业

Advantages



30 YEARS

30年的阀门研发与制造
More than 30 years valve and pump R&d and Manufacturing

23 YEARS

23年的高洁净泵研发与制造
More than 23 years high purity pump R&d and Manufacturing

18 YEARS

18年的阀门控制器研发与制造
More than 18 years valve controller R&d and Manufacturing

15 YEARS

15年的清洗技术研发与制造
More than 15 years Cleaning technology R&d and Manufacturing

300

300多人的专业团队
A profession team of over 300 people

200

200多项知识产权
More than 200 intellectual property rights

30

30多项国际权威认证
More than 30 international authoritative certifications

20

20多项国家与省级荣誉
More than 20 national and provincial honors certificates

超过10年研发经验
工程师队伍
We have more than 10 years experienced engineer team in R & D.

日本Mazak
CNC复合型加工中心
CNC切削中心
CNC车床
Japan Mazak
CNC compound machining center
CNC cutting center
CNC lathe

发那科《Fanuc》
全自动机器人生产线
《Fanuc》 Automatic robot
production line

高新技术企业、
省著名商标、
主任质量奖、4项发明、
200余项专利
New high-tech enterprise.
Provincial famous trademark.
Director's Quality Award.4 inventions
More than 200 patents

欧盟CE
美国3-A, FDA
中国特种制造许可证 TS
防爆认证ATEX CNEX
European Union CE certificate
USA 3-A, FDA
China Special Manufacturing
License TS
ATEX CNEX

我们能为你提供
定制化技术服务和制造,
OEM ODM
We can provide
you OEM & ODM service

领先的检测手段,
30多台专业检测设备和
50多种检测方法, 确保
每个产品性能和精度
Advanced detection method.
More than 30 pcs professional
testing equipment. More than
50 inspection ways, insure product
performance and accuracy

30 YEARS

30年洁净领域的专注
30 years of focus in the field of cleanliness

30 YEARS

30年工程应用经验与市场考验
30 years of engineering application experience and market test

三十而立正蕴含着新的力量，
未来我们将一如既往的致力于技术革新！
We Donjoy have established for 30 years, still full of
new energy, in the future we will stick to concentrate on
technology innovation

Introduction

东正创立于1993年，占地面积29000m²，注册资本1.0558亿元，员工300余人，技术团队30余人，200余项知识产权，国际权威认证30余项，国家与省级荣誉证书20余项，且拥有国际领先的加工技术和制造设备，如Mazak CNC四轴、五轴加工中心、复合型切削中心、FANUC机器人生产线以及各种国际领先的检测设备。

东正制造的产品远销全球并获得国内外用户高度好评，我们产品和技术涵盖高洁净泵、阀门控制技术、PID自控阀门、高洁净阀门、容器管道安全控制技术、容器清洗技术、容器管道照明技术、过滤技术以及高洁净管道和配件等。广泛应用于生物制药、食品饮料、酿酒、精细化工、日化洗涤、纺织印染、电池和新能源等工业领域。

Donjoy is founded in 1993, covers an area of 29,000 square meters, registered capital of 105.58 million yuan, we have more than 300 employees, we have more than 30 persons technical team, we have more than 200 intellectual property rights, we have more than 30 authoritative international certification, we have more than 20 national and provincial certifications, and has an international leader of first processing technology and manufacturing equipment, such as Mazak CNC four axis, five axis machining center, compound cutting center, FANUC robot production line and various international collar first detection equipment, etc.

The products manufactured by Donjoy are sold all over the world and are highly praised by domestic and overseas Products and technology cover high purity pump, valve control technology, PID automatic control valve, high purity valve, container pipeline safety control technology, container cleaning technology, container pipe road lighting technology, filtration technology and high purity pipes and accessories. Widely used in the biopharmaceuticals, food and beverage, wine, fine chemicals, daily chemical washing, textile printing and dyeing, battery and new energy and other industrial fields.

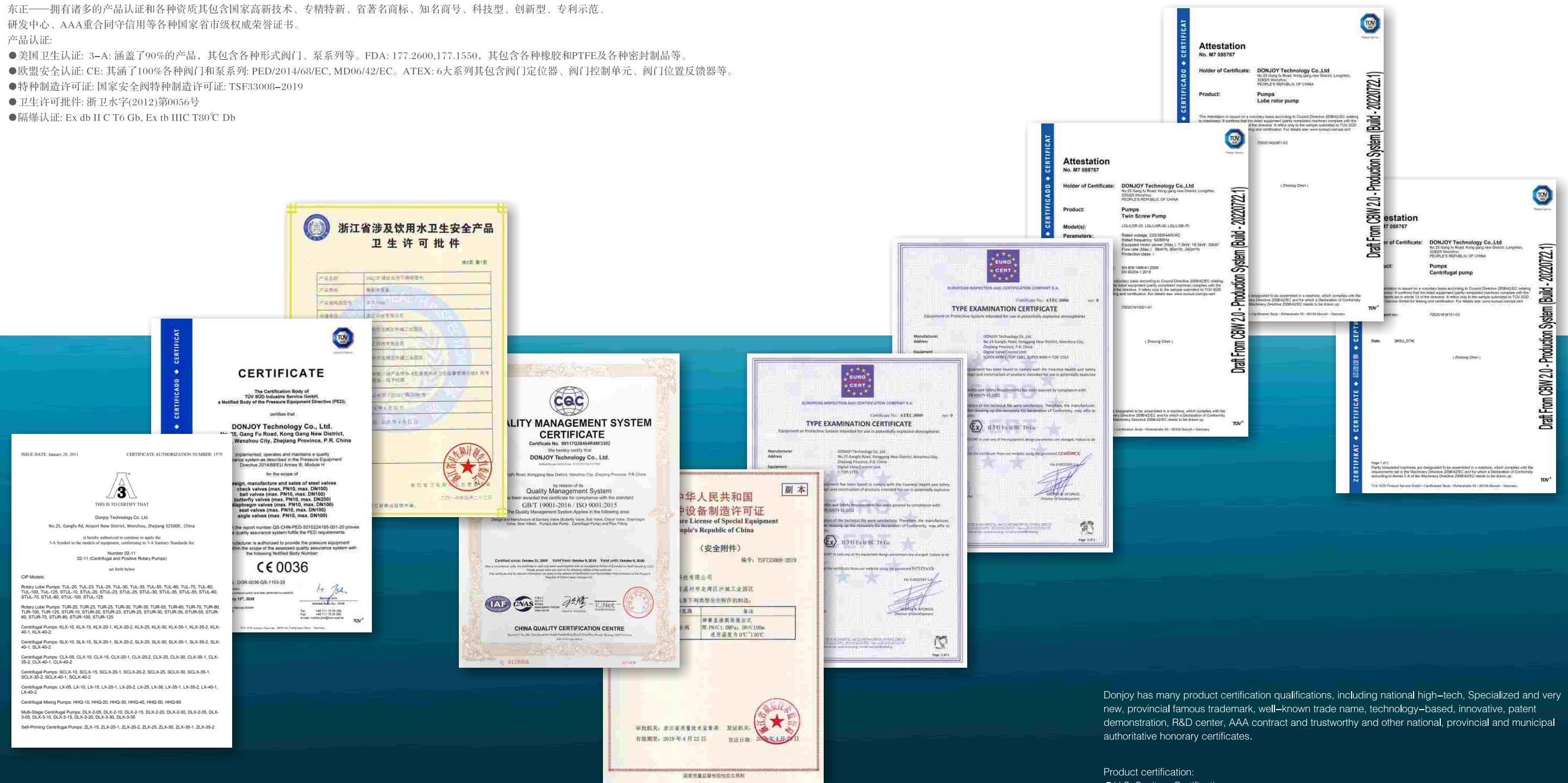


Certification

东正——拥有诸多的产品认证和各种资质其包含国家高新技术、专精特新、省著名商标、知名商号、科技型、创新型、专利示范、研发中心、AAA重合同守信用等各种国家省市级权威荣誉证书。

产品认证:

- 美国卫生认证: 3-A: 涵盖了90%的产品, 其包含各种形式阀门、泵系列等。FDA: 177.2600, 177.1550, 其包含各种橡胶和PTFE及各种密封制品等。
- 欧盟安全认证: CE: 其涵盖了100%各种阀门和泵系列: PED/2014/68/EC, MD06/42/EC。ATEX: 6大系列其包含阀门定位器、阀门控制单元、阀门位置反馈器等。
- 特种制造许可证: 国家安全阀特种制造许可证: TSF33008-2019
- 卫生许可批件: 浙卫水字(2012)第0056号
- 防爆认证: Ex db IIC T6 Gb, Ex tb IIIC T80°C Db



Donjoy has many product certification qualifications, including national high-tech, Specialized and very new, provincial famous trademark, well-known trade name, technology-based, innovative, patent demonstration, R&D center, AAA contract and trustworthy and other national, provincial and municipal authoritative honorary certificates.

- Product certification:
- U.S. Sanitary Certification
 - 3-A: Covers 90% of products, including all kinds of valves, pump, etc.
 - FDA: 177.2600, 177.1550, containing various rubber, PTFE and other sealing products.
 - EU safety certification
 - CE: covers all kinds of valves and pumps: PED/2014/68/EC, MD06/42/EC.
 - ATEX: 6 major series, including valve positioner, valve control unit, valve position feedback device, etc.
 - Special manufacturing license: National safety valve special manufacturing license: TSF33008-2019
 - Sanitation license approval document: Zhewei Shuizi (2012) No. 0056
 - Flameproof certification: Ex db IIC T6 Gb, Ex tb IIIC T80°C Db

人孔 Manhole

DJ-RK type



人孔有多种设计如圆型、椭圆型、方形、内开式、外开式、压力型、常压型，也可配置视镜、全玻璃视镜等各种人孔。我们设计的严格按照美国 3-A 卫生高洁净要求。

Manholes have a variety of designs such as round, oval, square, inward opening, outward opening, pressure, and normal pressure, and can also be equipped with sight glasses, full glass sight glasses and other manholes. The sight we designed strictly comply with American 3-A sanitary and high cleanliness requirements.



技术特点

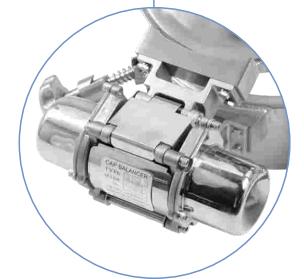
- 规格: 100mm–800mm
- 材质: 304/1.4301, 316L/1.4404, ASME BPE 316L 1.4435 NB2 Fe $\le 0.5\%$
- 压力: 真空~10bar(1.0 MPa)
- 温度: -20°C 到 +150°C, 取决密封于材质
- 密封: EPDM FKM HNBR PTFE
- 光洁度: Ra $\le 0.8\ \mu\text{m}$; MP=Ra $\le 0.6\ \mu\text{m}$; EP=Ra $\le 0.3\ \mu\text{m}$
- 认证: FDA 177.2600; 3A–84–02; Glass II USP Glass VI Chapter 88; GB4806.11; EG VO/1935–2004; PED/97/23/EC;

Technical Features

- Specifications: 100mm–800mm
- Material: 304/1.4301, 316L/1.4404, ASME BPE 316L 1.4435 NB2 Fe $\le 0.5\%$
- Pressure: vacuum to 10bar (1.0 MPa)
- Temperature: -20°C to +150°C, Depending on the seal material
- Sealing: EPDM FKM HNBR PTFE
- Finish: Ra $\le 0.8\ \mu\text{m}$; MP=Ra $\le 0.6\ \mu\text{m}$; EP=Ra $\le 0.3\ \mu\text{m}$
- Certification: FDA 177.2600; 3A–84–02; Glass II USP Glass VI Chapter 88; GB4806.11; EG VO/1935–2004; PED/97/23/EC;

阻尼慢开式人孔 Damping open-slowly manhole

它安装有阻尼系统，当打开或关闭盖子时则通过设定阻尼速度关闭或开启。
With damping system, when open or close the manhole, the speed is adjustable.



人孔 Manhole

圆形常压人孔 Round normal pressure manhole

DJ-RK-Yx type

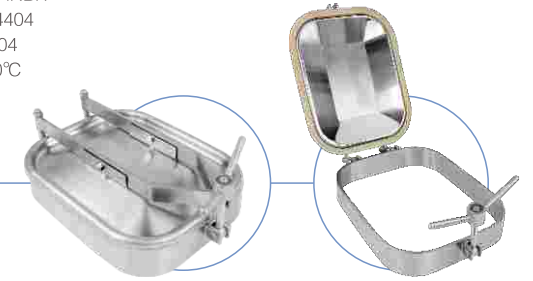
规格 Size: 102/152/200/250/300/350/450/500/550/600/700/800
 密封材质 Seal material: EPDM; FKM; Silicon; HNBR
 壳体材质 Shell material: 304/1.4301; 316L/1.4404
 手轮材质 Handwheel material: 尼龙Nylon、304
 工作温度 Operating temperature: -20°C~130°C
 工作压力 Working pressure: ≤0.5bar



方形人孔 Square manhole

DJ-RK-FX type

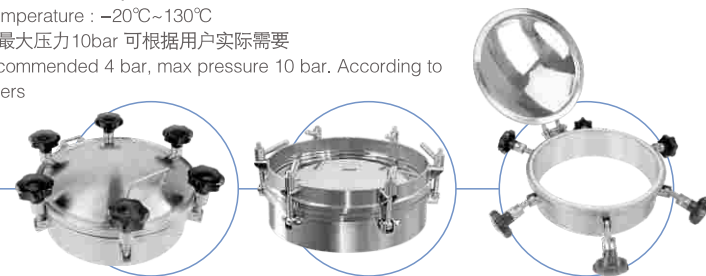
规格 Size: 425*335, 535*435
 密封材质 Seal material: EPDM; FKM; Silicon; HNBR
 壳体材质 Shell material: 304/1.4301; 316L/1.4404
 手轮材质 Handwheel material: 尼龙Nylon、304
 工作温度 Operating temperature: -20°C~130°C
 工作压力 Working pressure: ≤0.5bar



圆形压力人孔 Round pressure manhole

DJ-RK-YL type

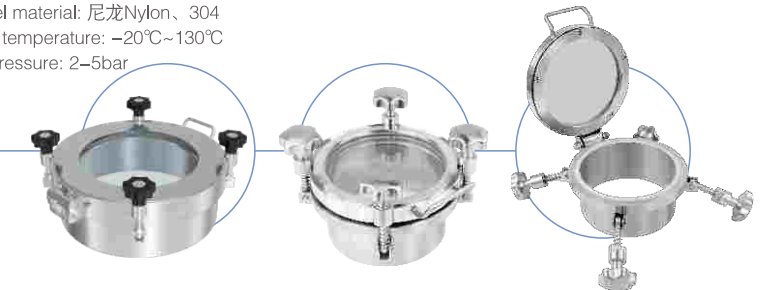
规格 Size: 102/152/200/250/300/350/450/500/550/600/700/800
 密封材质 Seal material: EPDM; FKM; Silicon; HNBR
 壳体材质 Shell material: 304/1.4301; 316L/1.4404
 手轮材质 Handwheel material: 尼龙Nylon、304
 工作温度 Operating temperature: -20°C~130°C
 工作压力: 推荐4bar, 最大压力10bar 可根据用户实际需要
 Working pressure: Recommended 4 bar, max pressure 10 bar. According to the actual needs of users



视镜人孔 Sight glass manhole

DJ-RK-SJ type

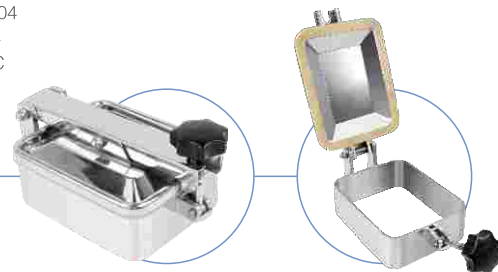
规格 Size: 102/152/200/250/300/350/450/500/550/600/700/800
 密封材质 Seal material: EPDM; FKM; Silicon; HNBR
 壳体材质 Shell material: 304/1.4301; 316L/1.4404
 手轮材质 Handwheel material: 尼龙Nylon、304
 工作温度 Operating temperature: -20°C~130°C
 工作压力 Working pressure: 2~5bar



方形人孔 Square manhole

DJ-RK-FX-MINI type

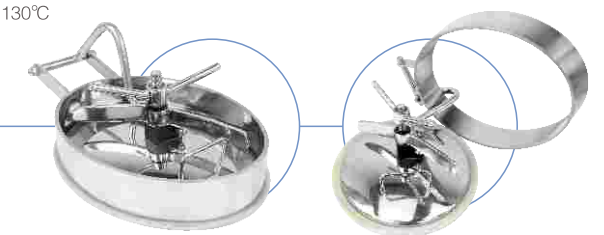
规格 Size: 120*180, 185*235, 200*280
 密封材质 Seal material: EPDM; FKM; Silicon; HNBR
 壳体材质 Shell material: 304/1.4301; 316L/1.4404
 手轮材质 Handwheel material: 尼龙Nylon、304
 工作温度 Operating temperature: -20°C~130°C
 工作压力 Working pressure: ≤0.5bar



椭圆内开人孔 Oval swing-in manhole

DJ-RK-TNK type

规格 Size: 435*335, 530*430, 635*525
 密封材质 Seal material: EPDM; FKM; Silicon; HNBR
 壳体材质 Shell material: 304/1.4301; 316L/1.4404
 手轮材质 Handwheel material: 304, 手柄 handle、手轮 hand wheel
 工作温度 Operating temperature: -20°C~130°C
 工作压力 Working pressure: ≤3bar



人孔 Manhole

椭圆外开人孔 Oval swing-out manhole

DJ-RK-TWK type

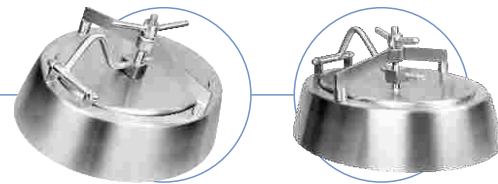
规格 Size: 250*350, 300*400, 330*430, 430*530
 密封材质 Seal material: EPDM; FKM; Silicon; HNBR
 壳体材质 Shell material: 304/1.4301; 316L/1.4404
 手轮材质 Handwheel material: 304, 手柄 handle、手轮 hand wheel
 工作温度 Operating temperature: -20°C~130°C
 工作压力 Working pressure: ≤0.5bar



椭圆锥形外开人孔 Oval fastigate swing-out manhole

DJ-RK-ZWK type

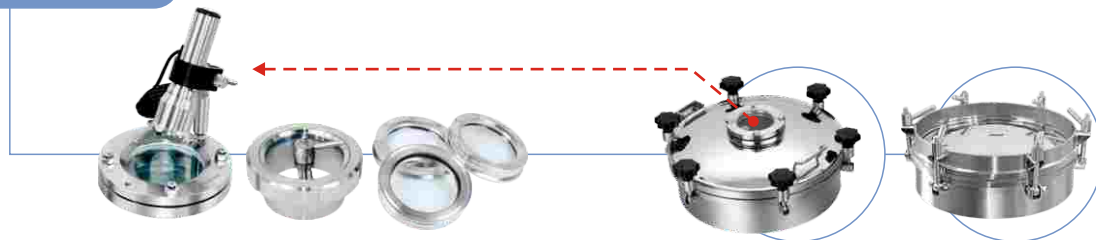
规格 Size: 480*580, 380*480
 密封材质 Seal material: EPDM; FKM; Silicon; HNBR
 壳体材质 Shell material: 304/1.4301; 316L/1.4404
 手轮材质 Handwheel material: 304, 手柄 handle、手轮 hand wheel
 工作温度 Operating temperature: -20°C~130°C
 工作压力 Working pressure: ≤0.5bar



可配置视镜的人孔 Manhole with sight glass

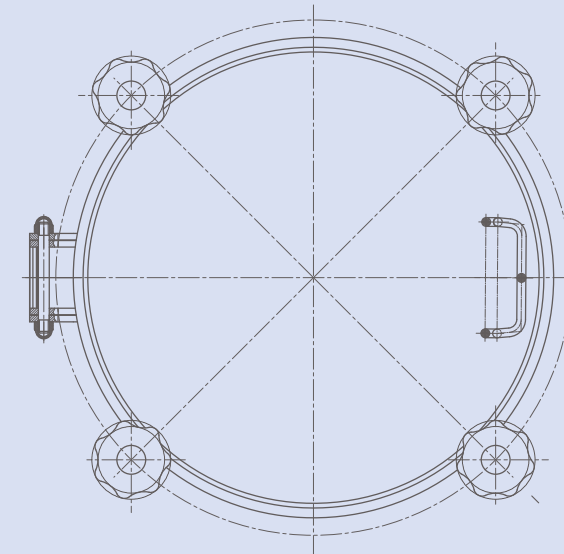
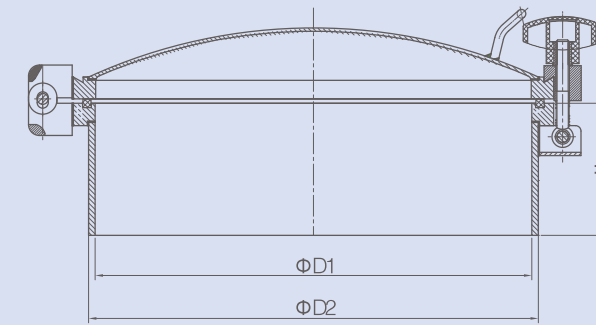
DJ-RK type

规格 Size: 102/152/200/250/300/350/450/500/550/600/700/800
 密封材质 Seal material: EPDM; FKM; Silicon; HNBR
 壳体材质 Shell material: 304/1.4301; 316L/1.4404



注意: 有关视镜和视镜照明介绍, 请查阅视镜照明章节。
 About the introduction of sight glass and sight glass with lighting ,please refer to the sight glass Lighting section.

压力圆型人孔-外形尺寸图



NO.ERK111

压力圆型人孔-外形尺寸图

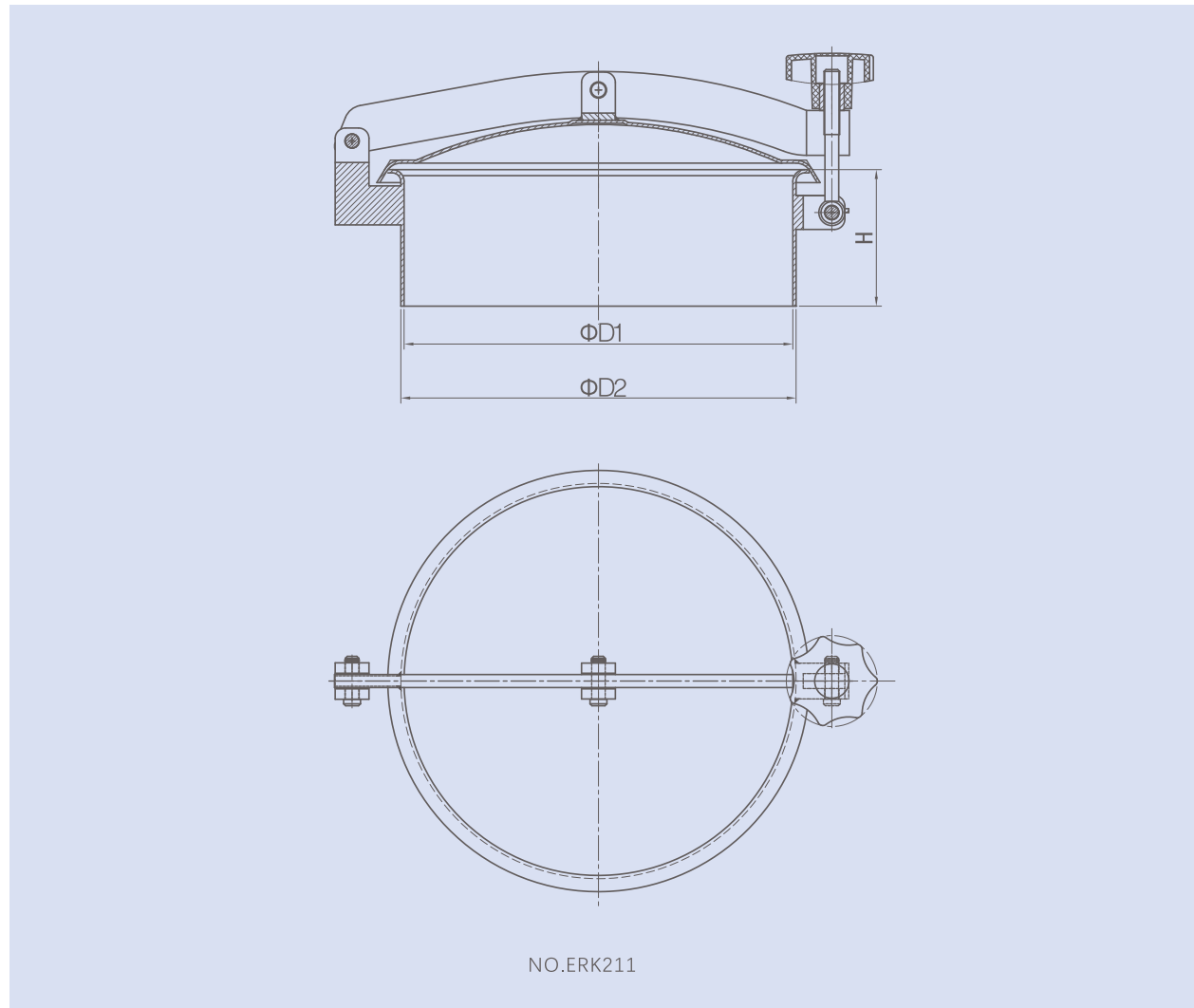
规格	Φ200	Φ220	Φ300	Φ350	Φ400	Φ430	Φ450	Φ500	Φ600
H	100	100	100	100	100	100	100	100	100
D1	194	214	294	344	394	424	444	494	594
D2	200	220	300	350	400	430	450	500	600

人孔直径线性公差根GB/T1804-2000 C级执行

规格	公差范围
Φ200-Φ350	± 1.2mm
Φ400-Φ600	± 2mm

人孔 Manhole

非压力圆型人孔-外形尺寸图



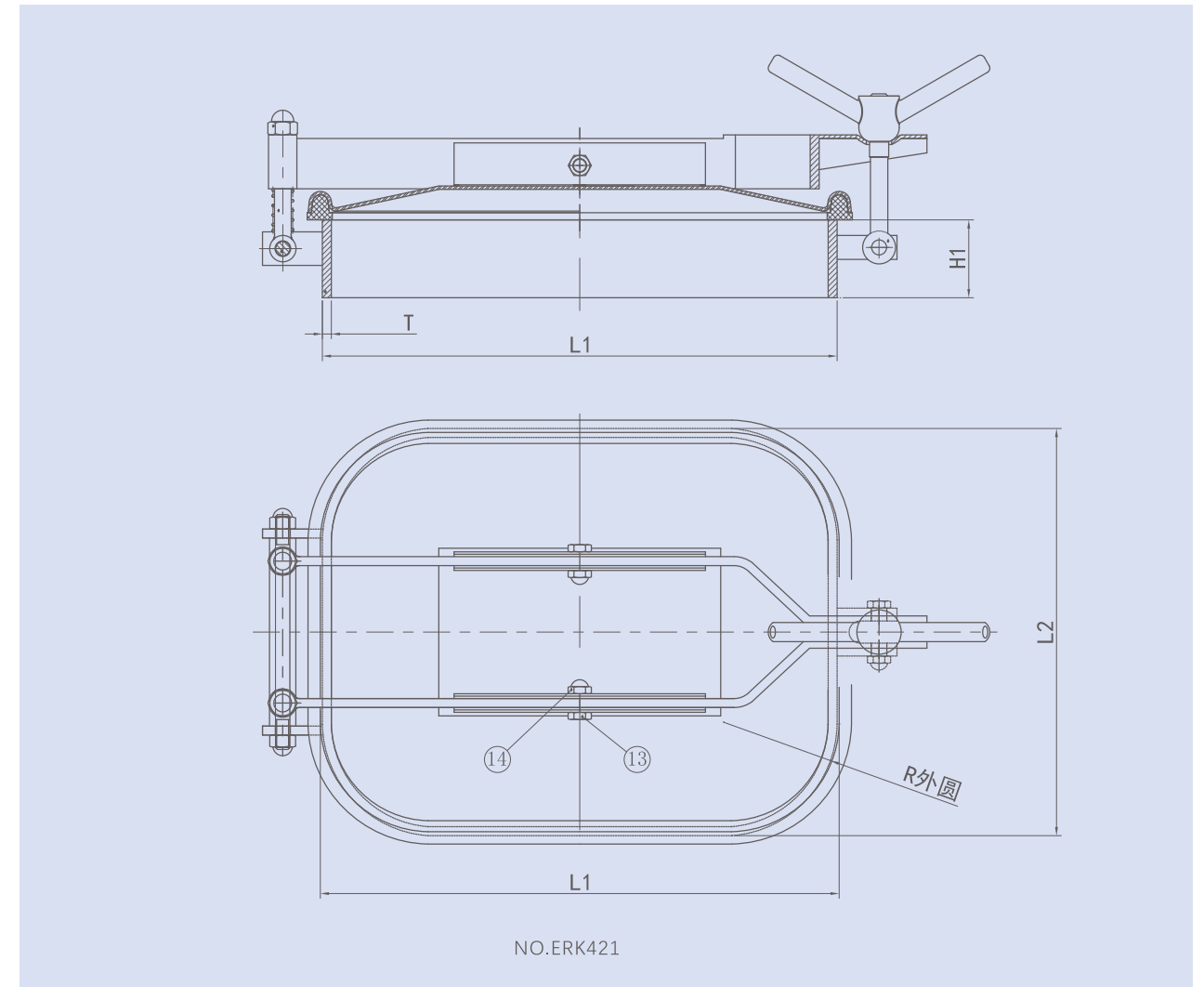
非压力圆型人孔-外形尺寸图

规格	Φ200	Φ220	Φ300	Φ350	Φ400	Φ430	Φ450	Φ500	Φ600
H	100	100	100	100	100	100	100	100	100
D1	194	214	294	344	394	424	444	494	594
D2	200	220	300	350	400	430	450	500	600

人孔直径线性公差根GB/T1804-2000 C级执行

规格	公差范围
Φ200-Φ350	± 1.2mm
Φ400-Φ600	± 2mm

方型人孔-外形尺寸图



方型人孔-外形尺寸图

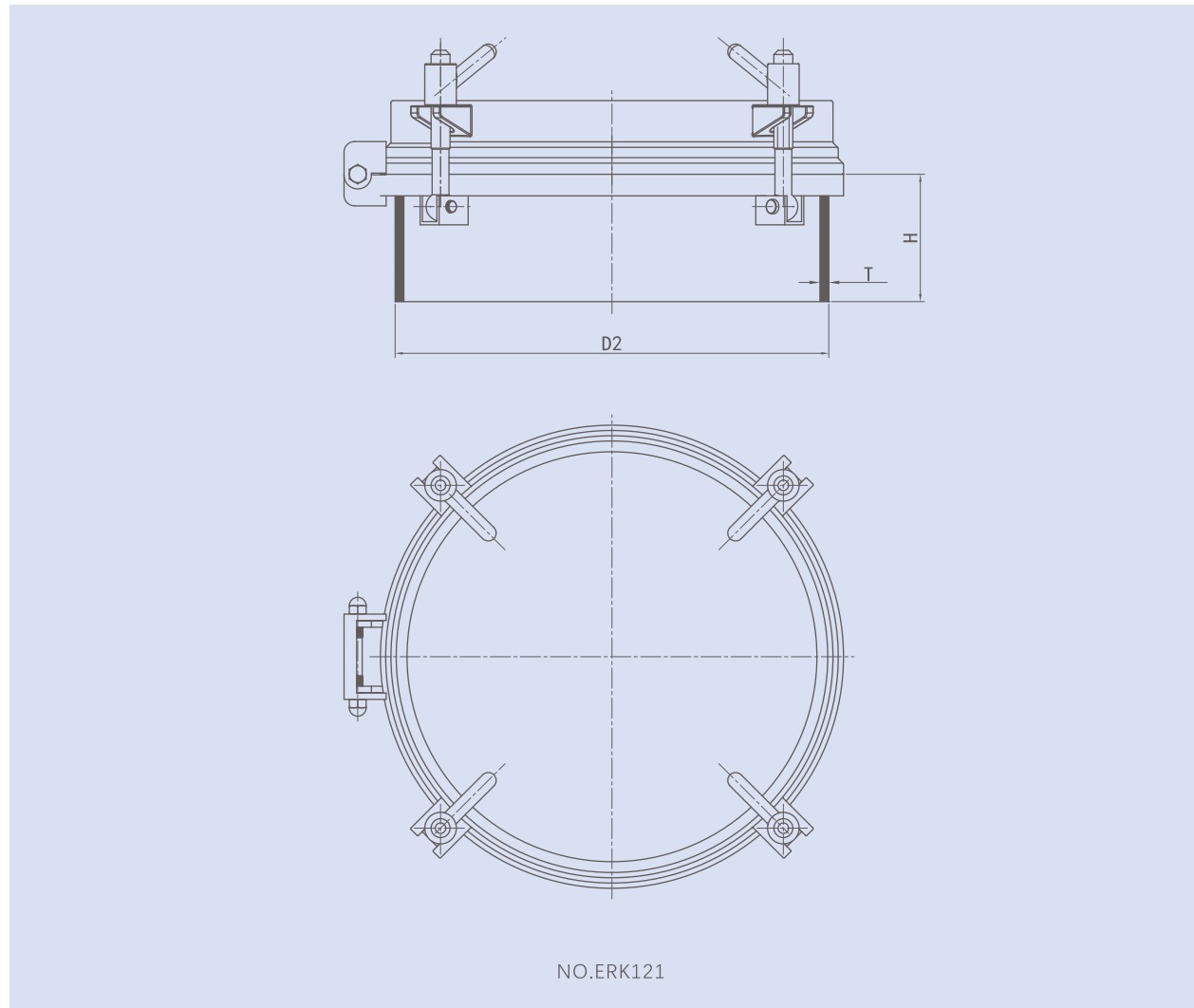
SIZE	H1	L1	L2	T	R外圆
235X185	65	235	185	6	37
425X335	65	425	335	8	93
535X435	65	535	435	8	115

人孔直径线性公差根据下表执行

规格	公差范围
Φ200-Φ350	± 2mm
Φ400-Φ600	± 3mm

人孔 Manhole

压力圆型人孔-外形尺寸图

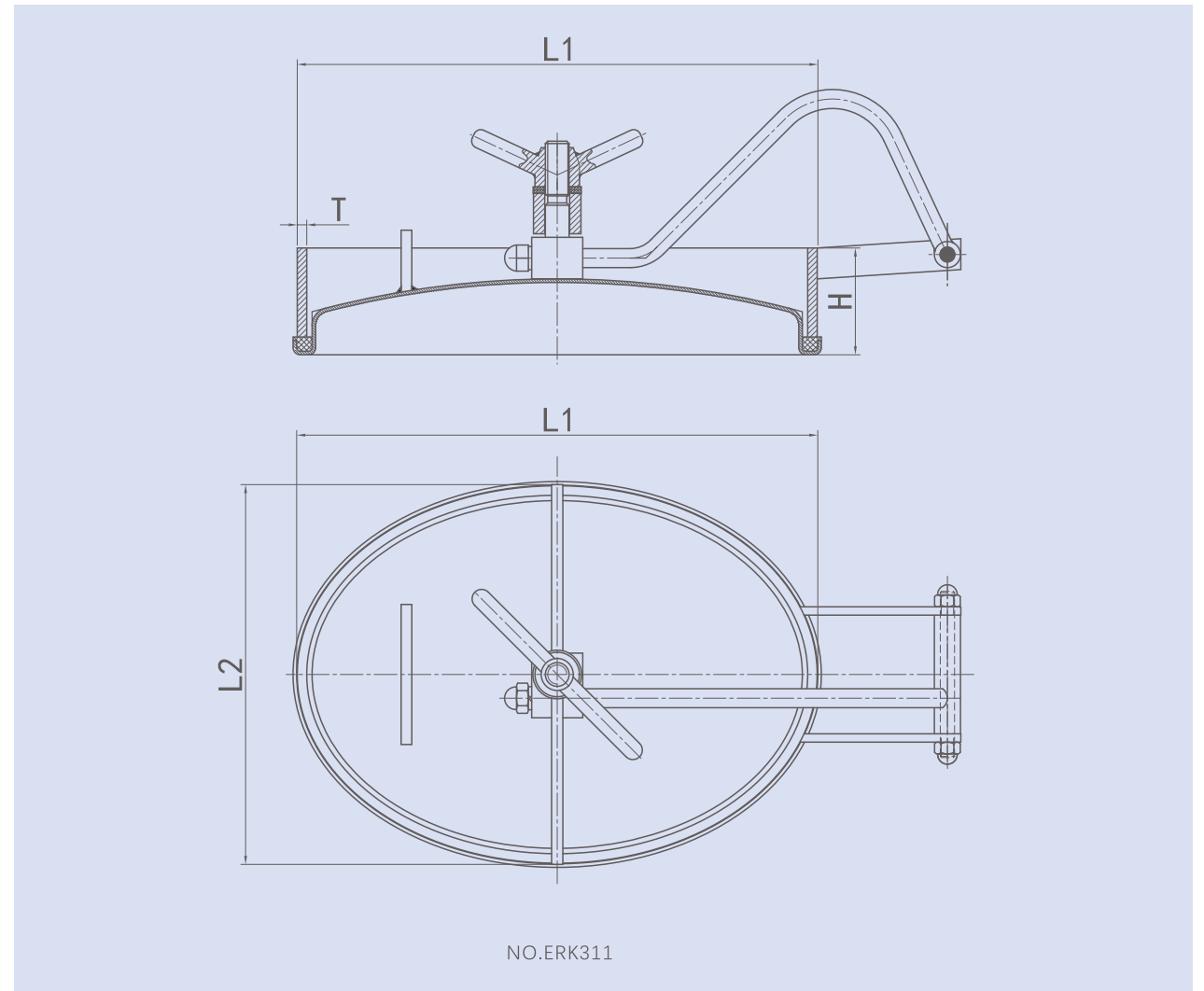


压力圆型人孔-外形尺寸图

规格	Φ400	Φ430	Φ450	Φ500	Φ600	Φ800	Φ900
H	100	100	100	100	100	100	100
T	4	4	4	4	5	6	6
D2	400	430	450	500	600	800	900

注意：以上数据图相关尺寸不作为实物最终依据，东正保留对于数据更新权限不再另行通知。
Note: The relevant dimensions of the above data diagrams are not regarded as the final basis of the actual object. Dongzheng reserves the right to update the data without further notice.

椭圆型人孔-外形尺寸图



椭圆型人孔-外形尺寸图

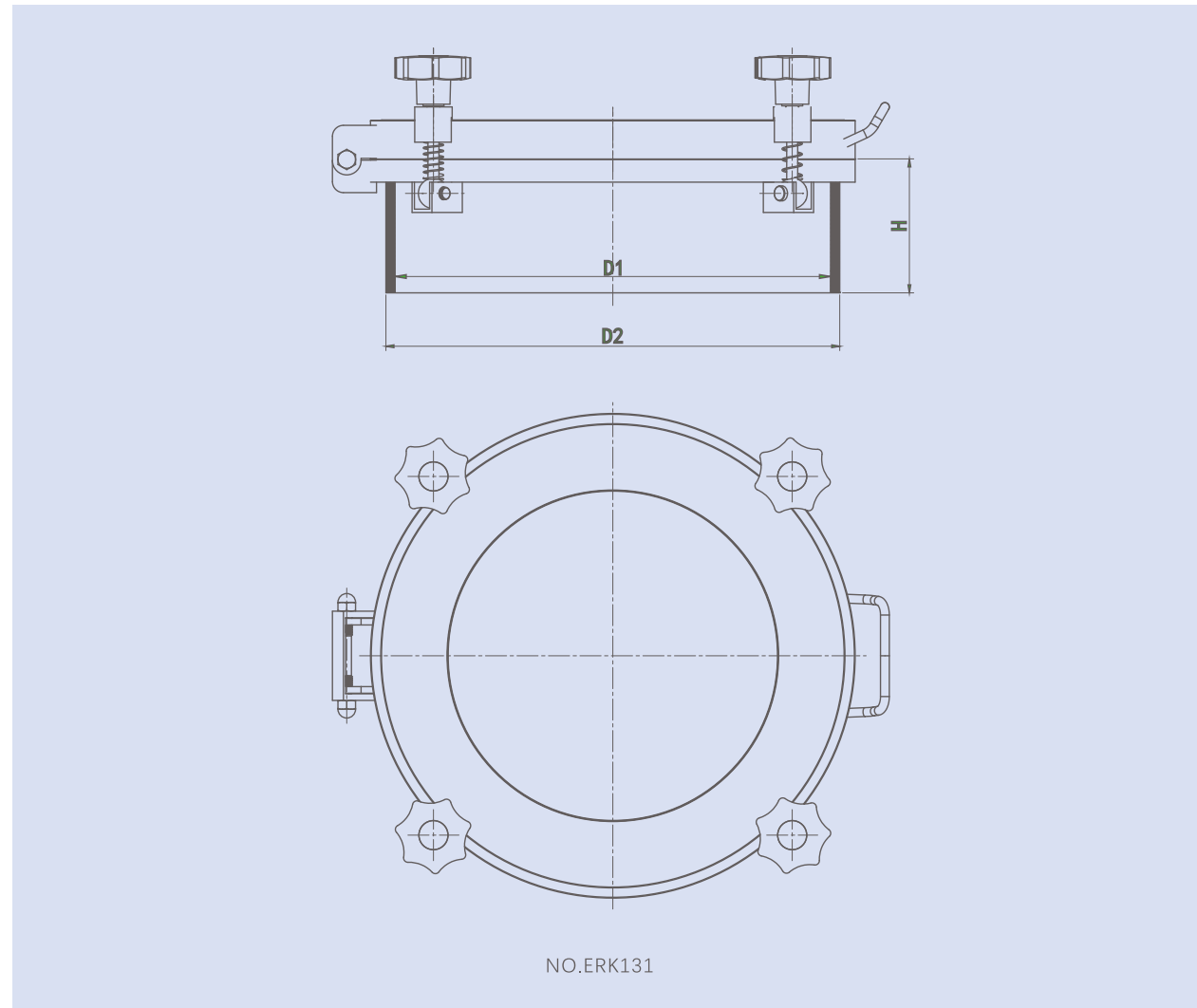
SIZE	H1	L1	L2	T	备注
435X335	75	435	335	8	/
530X430	100	530	430	10	/
635X525	160	635	525	10	/

人孔直径线性公差根GB/T1804-2000 C级执行

规格	公差范围
Φ200-Φ350	± 1.2mm
Φ400-Φ600	± 2mm

人孔 Manhole

带玻璃圆型人孔-外形尺寸图



带玻璃圆型人孔-外形尺寸图

规格	Φ200	Φ220	Φ250	Φ300	Φ350	Φ400	Φ430	Φ450	Φ500	Φ600
H	100	100	100	100	100	100	100	100	100	100
D1	194	214	244	294	344	394	424	444	494	592
D2	200	220	250	300	350	400	430	450	500	600

注意：以上数据图相关尺寸不作为实物最终依据，东正保留对于数据更新权限不再另行通知。
 Note: The relevant dimensions of the above data diagrams are not regarded as the final basis of the actual object. Dongzheng reserves the right to update the data without further notice.